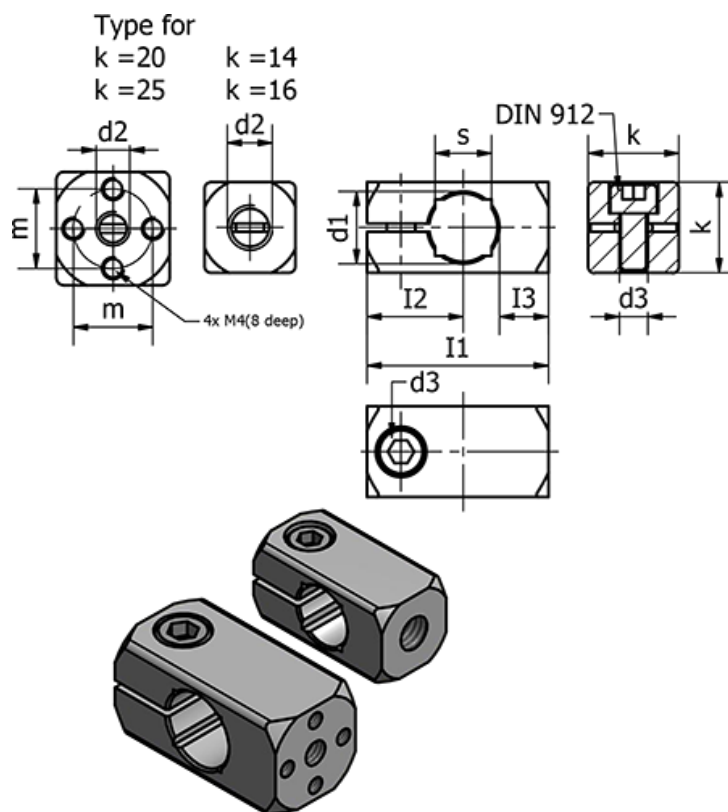


Article number: 20478B15M6ELS

Description: E+G Clamp mounting - GN 478-B15-M6-ELS

Measures



Clamping kit for $d_2 = \text{GN 511-M6-20}$	m	= 14	
d_1 h11	= 15	s	= 12
d_2	= M6	Weight (g)	= 20
d_3	= M6		
l_1	= 40		
l_2	= 20.5		
l_3	= 12		
k	= 20		